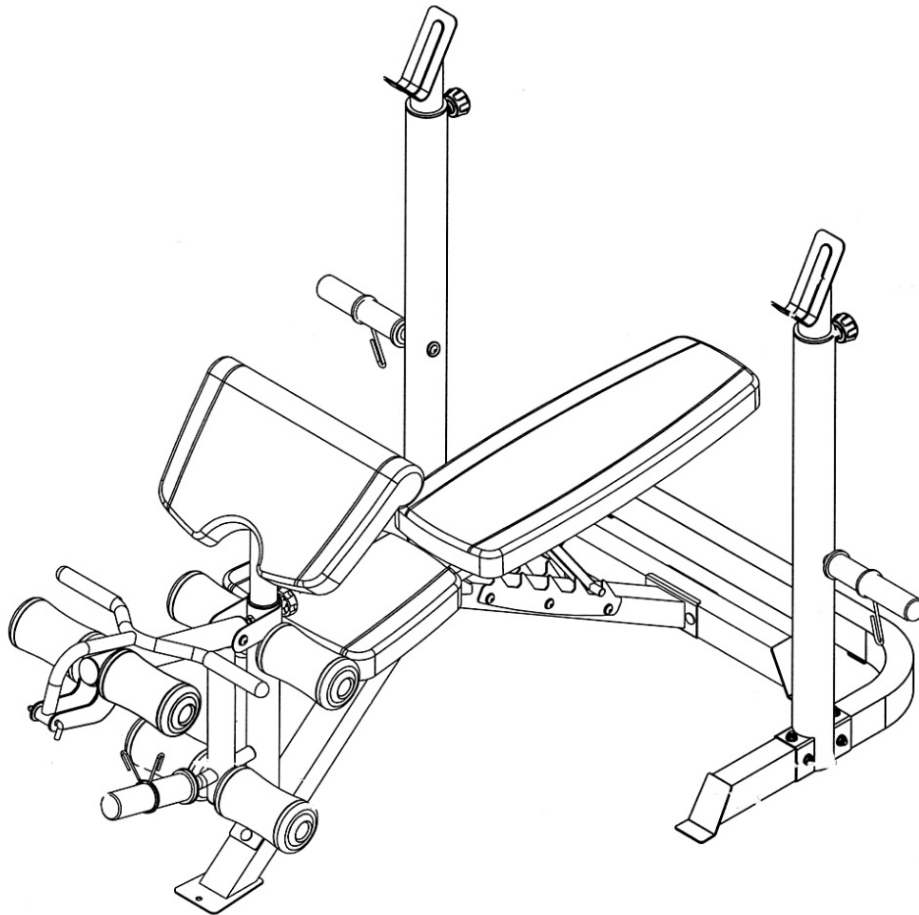


# MARCY®

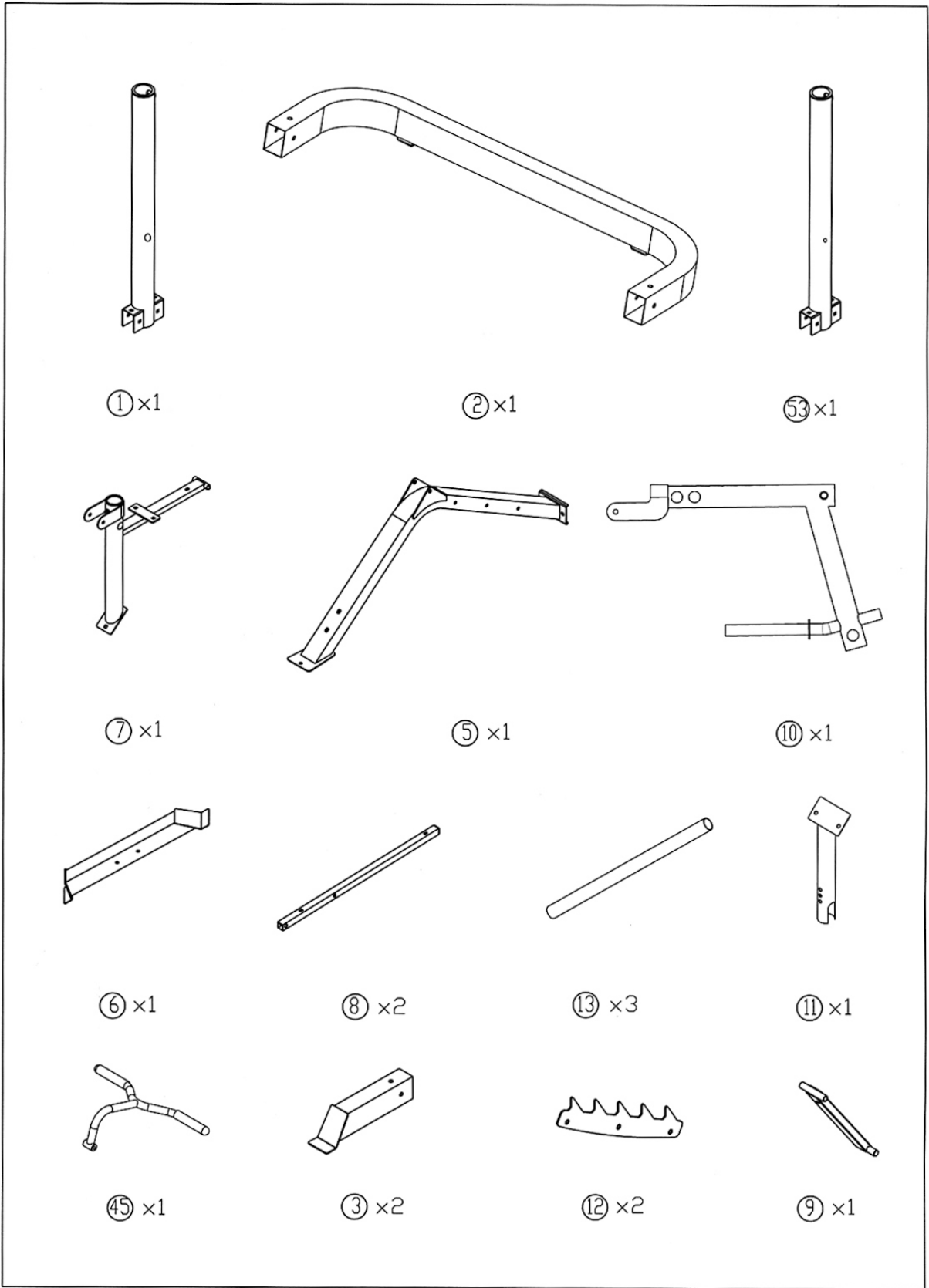
## MARCY CLUB OLYMPIC BENCH MKB-979

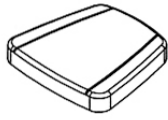


**IMPORTANT:** Please read the Important Safety Notice and Assembly Information in the Owner's manual before assembling this product.

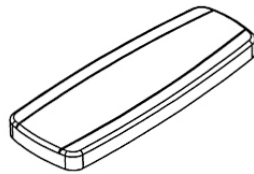
**Assembly Manual**

230303

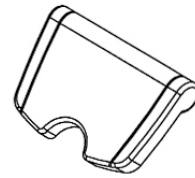




16 x1



17 x1



18 x1



14 x3



19 x2



26 x6



27 x6



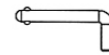
28 x1



29 x3



30 x3



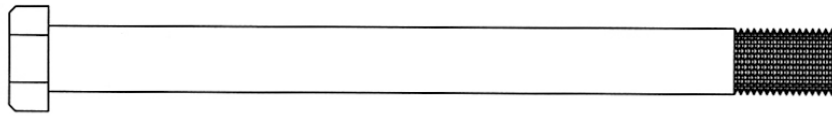
47 x1



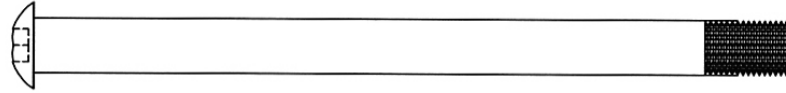
4 x2



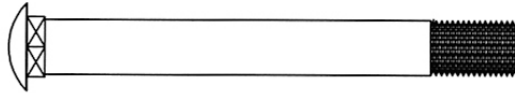
50 x2



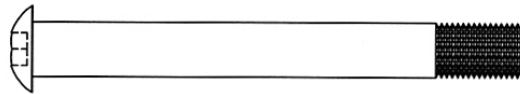
③① X 1



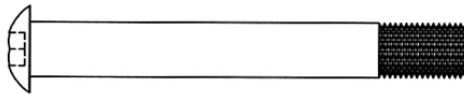
③④ X 1



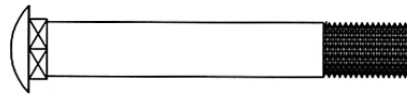
③② X 4



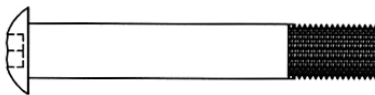
③⑤ X 3



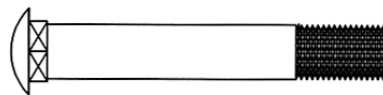
③⑥ X 1



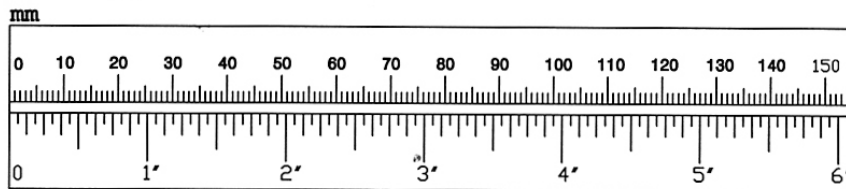
③③ X 6



③⑦ X 1

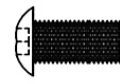


④⑤ X 1





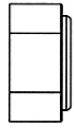
38 X 5



39 X 4



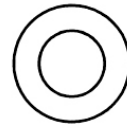
52 X 2



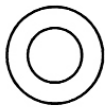
43 X 1



44 X 16



40 X 2



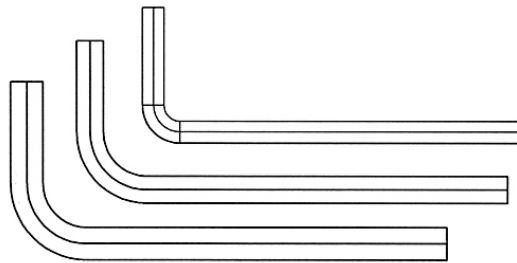
41 X 22



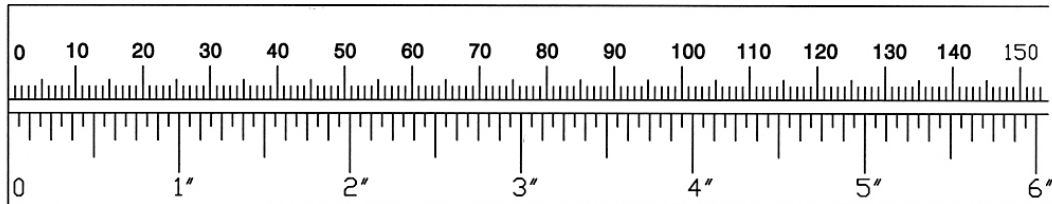
42 X 9



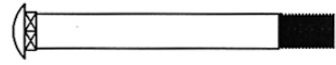
51 X 2



mm

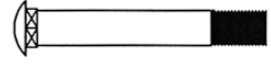


32 X 4



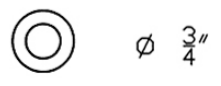
M10 x 3 1/2"

33 X 4



M10 x 2 3/4"

41 X 8



∅ 3/4"

51 X 2



∅ 3/4"

44 X 8

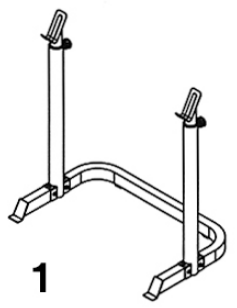
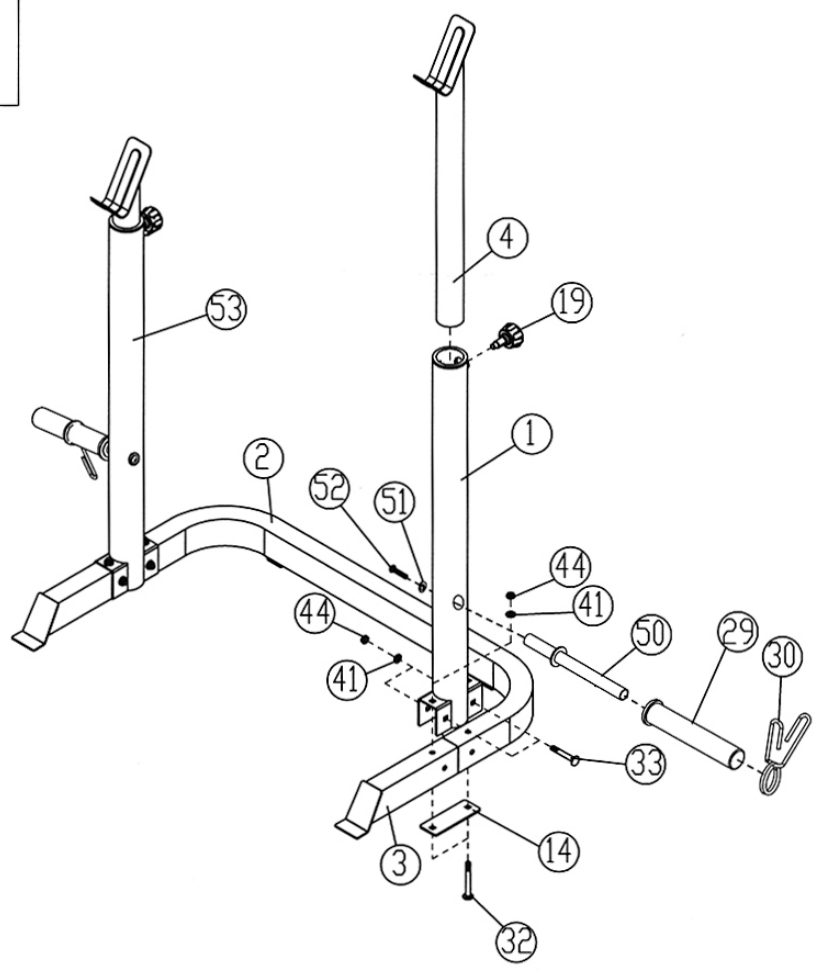
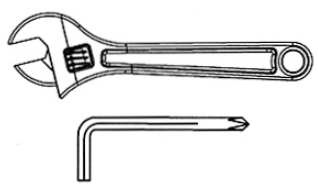


M10

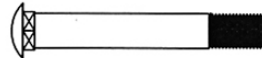
52 X 2



M10 x 1"

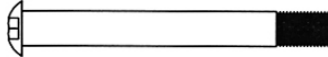


33 X 2



M10 x 2 3/4"

35 X 3



M10 x 3 1/2"

41 X 8

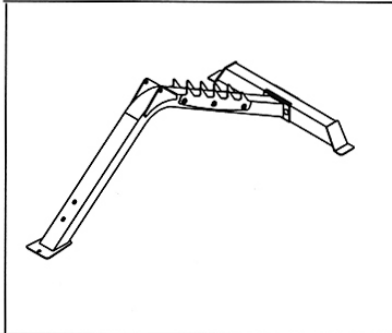
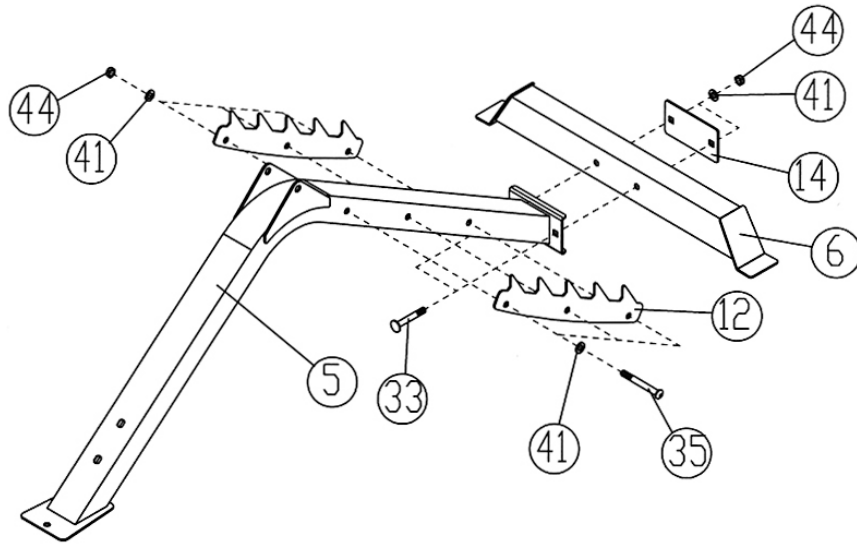


ø 3/4"

44 X 5

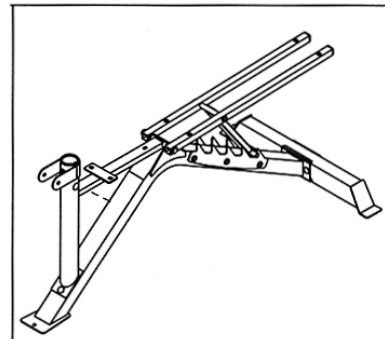
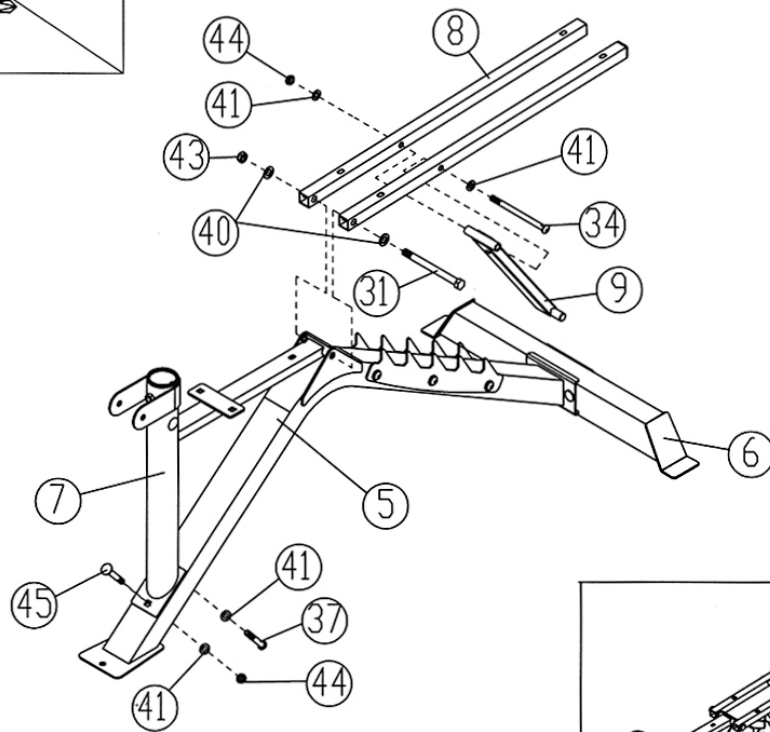
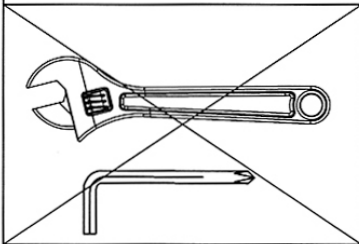


M10



2

- |        |  |              |        |  |     |
|--------|--|--------------|--------|--|-----|
| ③① X 1 |  | M12 x 5 3/4" |        |  |     |
| ④⑤ X 1 |  | M10 x 2 1/2" |        |  |     |
| ③④ X 1 |  | M10 x 5 1/2" |        |  |     |
| ③⑦ X 1 |  | M10X62mm     |        |  |     |
| ④① X 2 |  | ∅ 1"         | ④③ X 1 |  | M12 |
| ④① X 4 |  | ∅ 3/4"       | ④④ X 2 |  | M10 |



**3**



38 X 5



M8 x 1  $\frac{5}{8}$ "

39 X 2

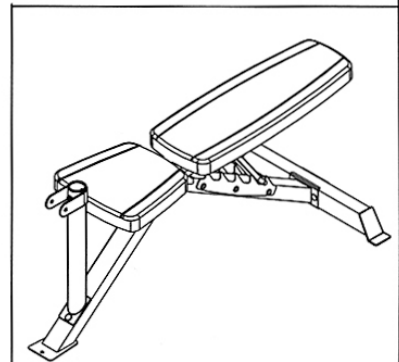
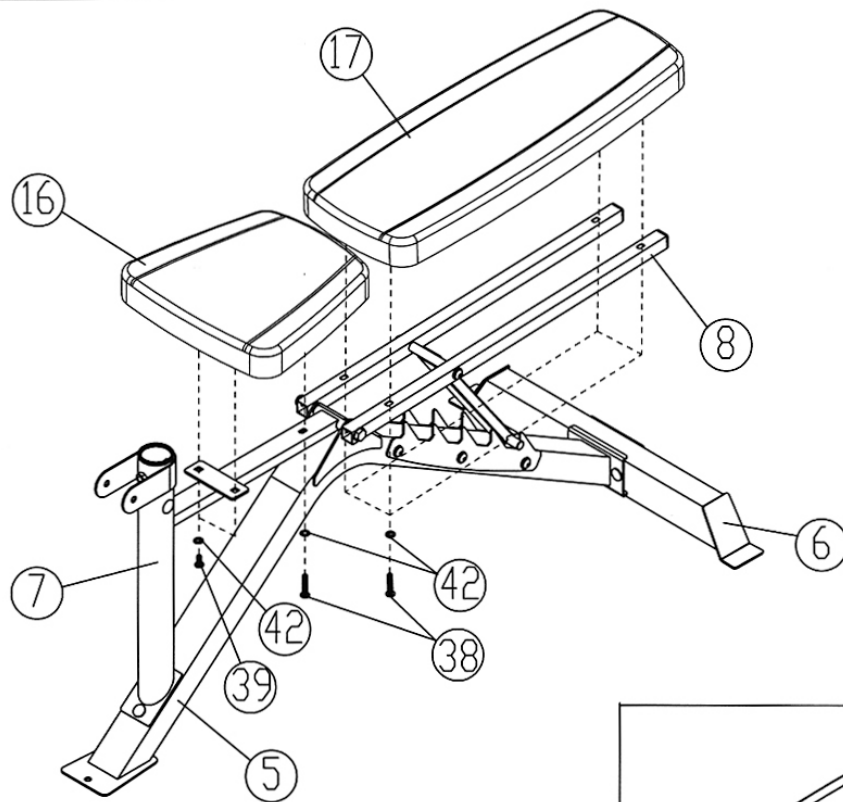
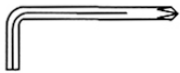
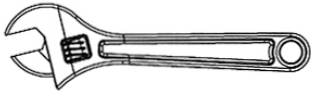


M8 x  $\frac{3}{4}$ "

42 X 7

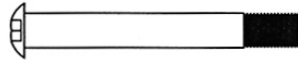


$\varnothing$   $\frac{5}{8}$ "



4

36 X 1



M10 x 3 1/8"

41 X 2

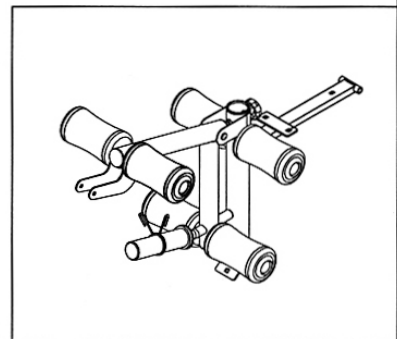
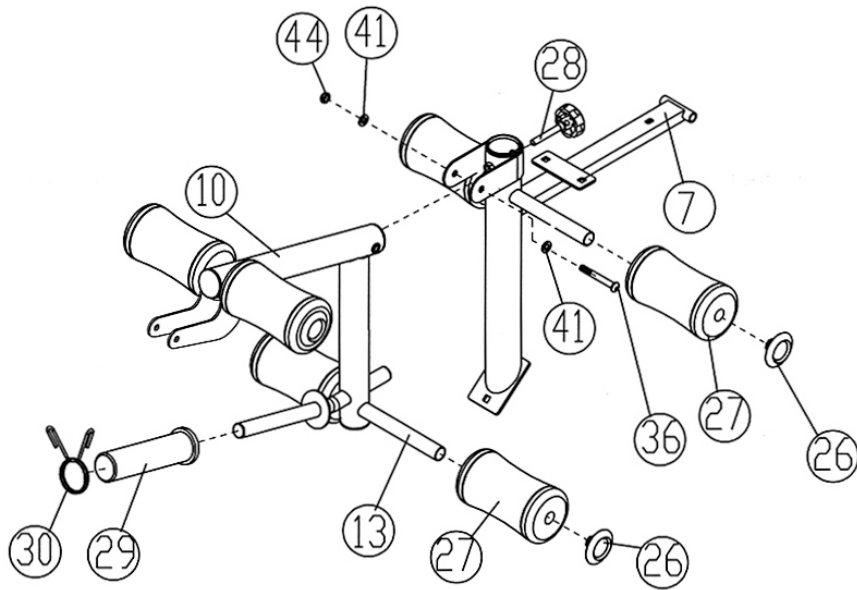
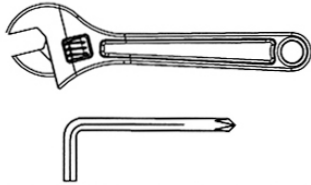


∅ 3/4"

44 X 1



M10



5

39 X 2

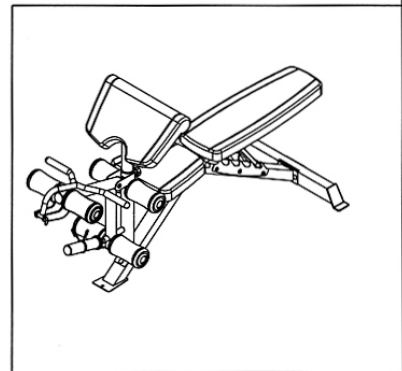
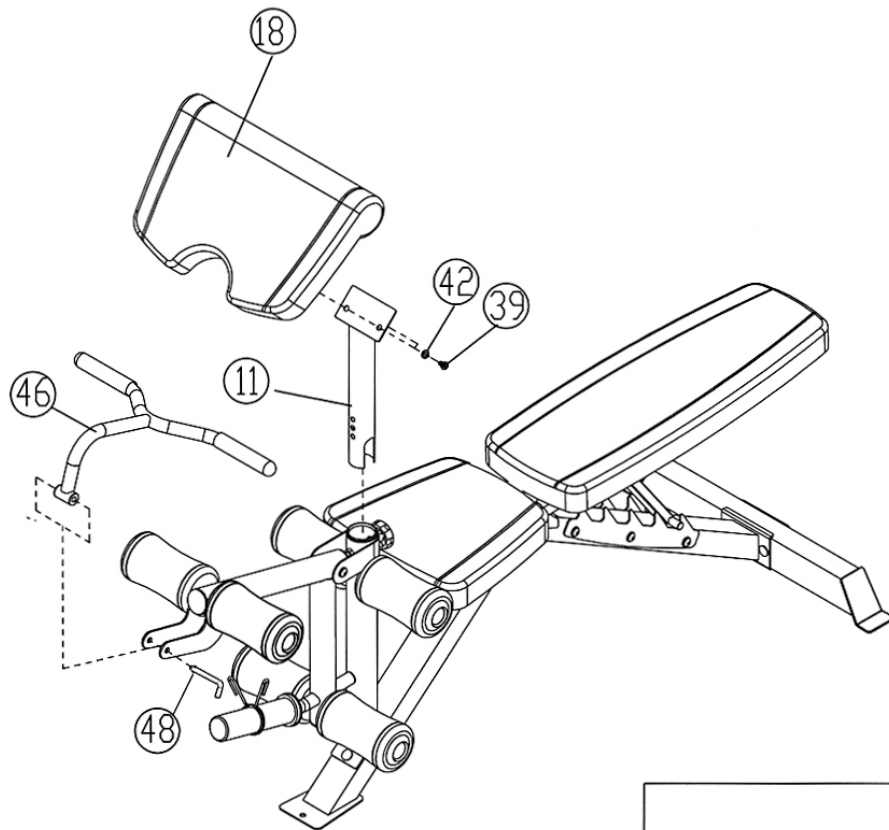
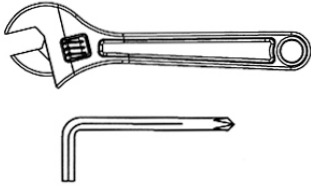


M8 x 3/4"

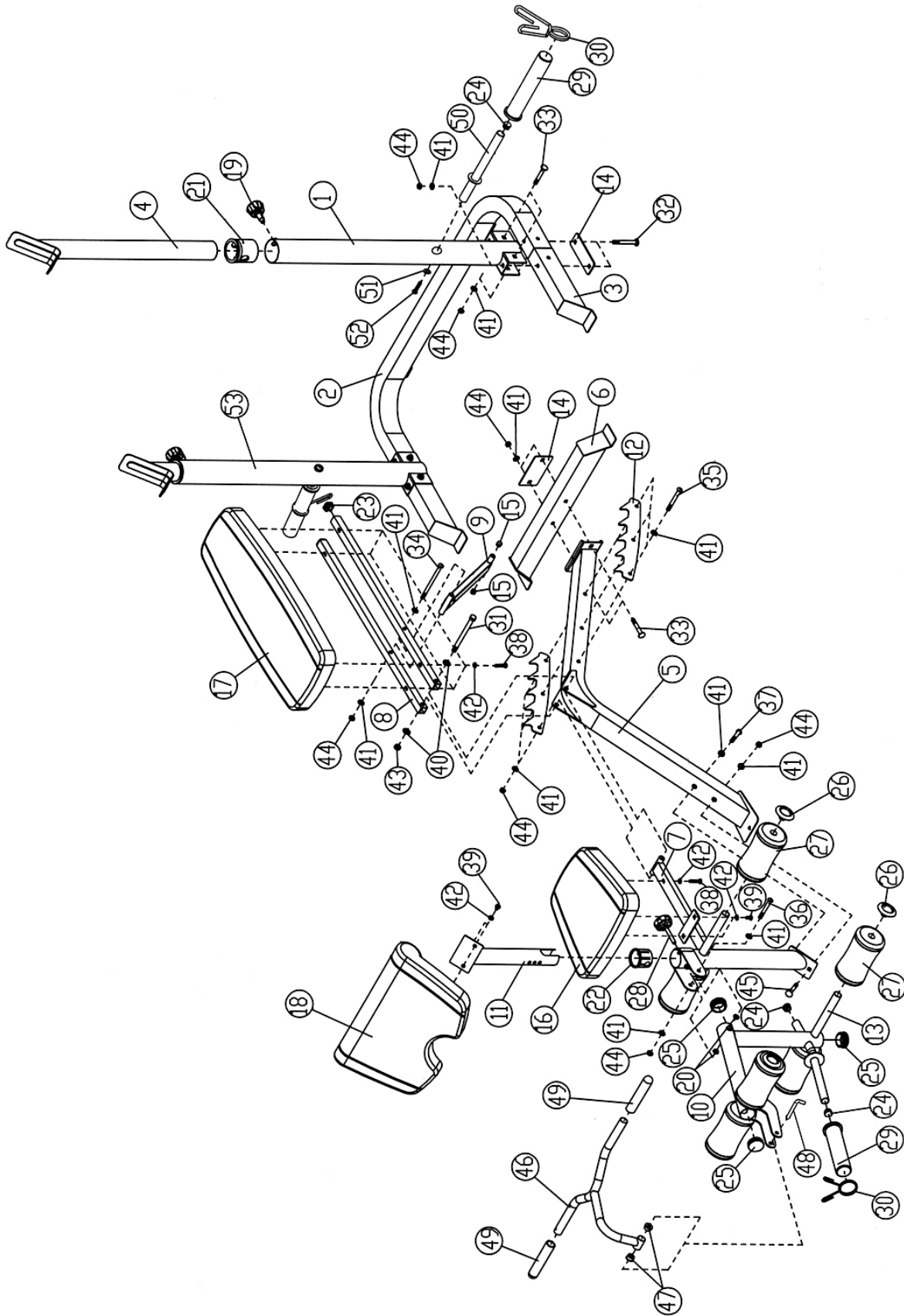
42 X 2



Ø 5"



6



**IMPEX® INC.**

2801 South Towne Avenue, Pomona, California 91766

Tel: (800) 999-8899 Fax: (626) 961-9966

[www.marcypro.com](http://www.marcypro.com)

[support@impex-fitness.com](mailto:support@impex-fitness.com)